



Luxecasting  
International Group

# Camlock Couplings



# 100 % On Site Production

## BRASS & ALUMINIUM CAMLOCK FORGING PROCESS

Cutting



Forging



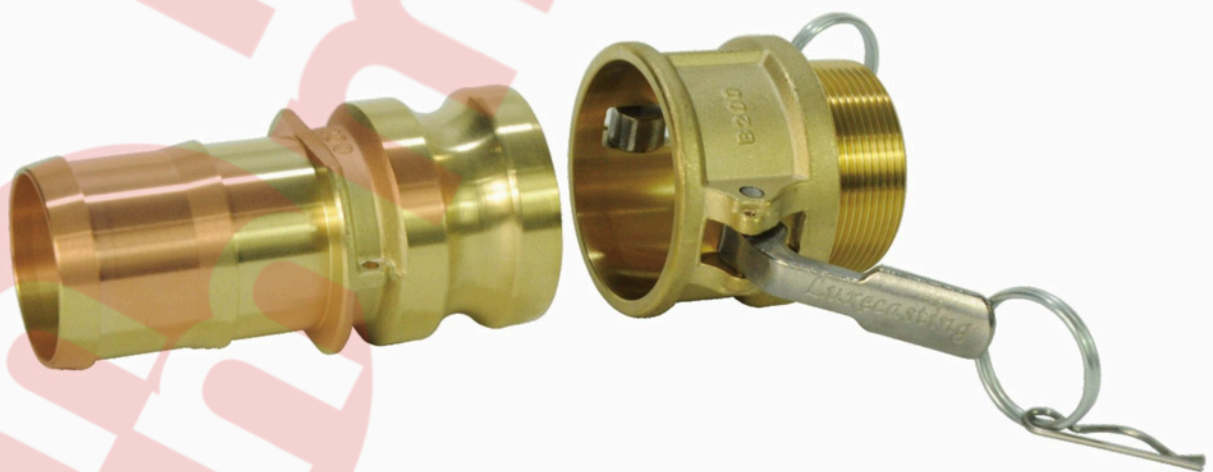
Deburring



Machining



Assembly



# 100 % On Site Production

## STAINLESS STEEL CAMLOCK INVESTMENT CASTING PROCESS

Wax pattern



Ceramic shell



Cut off & Grinding



Shot blasting



Assembly



# CAMLOCK COUPLINGS

## Normative regulation:

MIL A-A-59326A

EN 14420-7

DIN 2828

## Sizes:

DN15 Up To DN300

## Materials:

Stainless Steel 316 (Investment Casting)

Brass (Forging)

Aluminium (Casting)

Polypropylen (injection)

## Working Pressure:

18 bar / 250 psi (for SS and BR)

18 bar / 250 psi (for AL)

6 bar / 87 psi (for PP)

## Thread type:

BSPP : EN ISO228-1 / DIN ISO 228-1

BSPT : EN 10226-1 / DIN 2999-1

NPT : ANSI B 1.20.1

## Coupling Gaskets:

NBR (-30°C/+120°C)

EPDM (-45°C/+145°C)

FPM (-30°C/+200°C)

CSM (-30°C/+125°C)

## Thread Gaskets:

PU (-50°C/+100°C)

PTFE(-25°C/+250°C)

## Applications:

Chemicals

All industry

Tank Fuel Truck Equipement



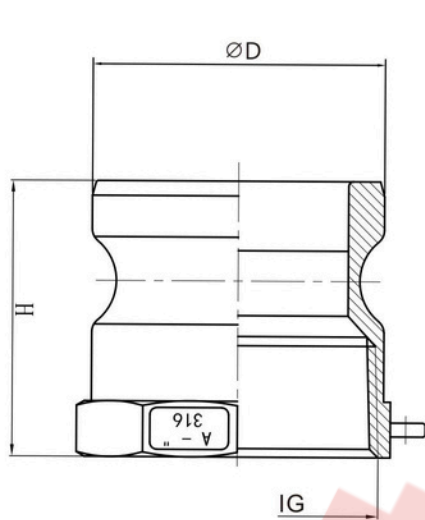
## SCOPE

This document details the design, materials and dimensions for cam locking couplings that serve as the link between hoses and connections to transport liquids, solids and gases, except liquid gas and steam. The couplings are capable of operating the pressure range 3 bar to 18 bar working pressure in a working temperature range of - 20 °C up to + 65 °C.

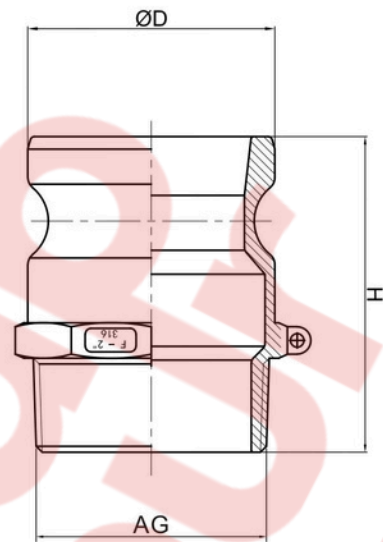
**WARNING** — Line pressure shall be reduced before disconnection.

	SS		BR		AL		PP	
	Bar	Psi	Bar	Psi	Bar	Psi	Bar	Psi
DN15	16	225	16	225	16	225	6	87
DN20	18	250	18	250	16	225	6	87
DN25	18	250	18	250	18	250	6	87
DN32	18	250	18	250	18	250	6	87
DN40	18	250	18	250	18	250	6	87
DN50	18	250	18	250	18	250	6	87
DN65	16	225	16	225	16	225	6	87
DN80	14	220	9	150	9	125	6	87
DN100	7	100	7	100	7	100	6	87
DN125	7	100	5	75	5	75	3	50
DN150	7	100	5	75	5	75	3	50
DN200	5	75	5	75	5	75	3	50





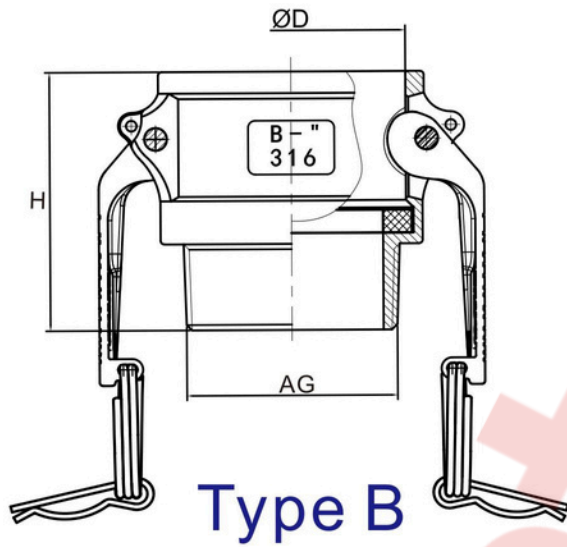
**Type A**



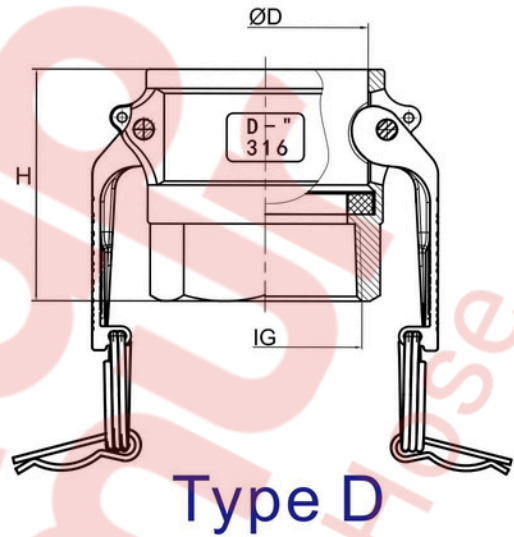
**Type F**

Name ( A )	IG( Female Thread )	D( mm )	H( mm )
050	G1/2"	24.3	33.4
075	G3/4"	32.1	35.4
100	G1"	36.7	43.5
125	G1 1/4"	45.5	50.5
150	G1 1/2"	53.4	52
200	G2"	63	59.5
250	G2 1/2"	75.8	75
300	G3"	91.5	65
400	G4"	119.5	70
500	G5"	145.6	80
600	G6"	176	83

Name ( F )	AG( Male Thread )	D( mm )	H( mm )
050	R2999-1/2"	24.3	46.4
075	R2999-3/4"	32.1	48.4
100	R2999-1"	36.7	57
125	R2999-1 1/4"	45.5	67.5
150	R2999-1 1/2"	53.4	69
200	R2999-2"	63	80.5
250	R2999-2 1/2"	75.8	86
300	R2999-3"	91.5	94
400	R2999-4"	119.5	101
500	R2999-5"	145.6	114
600	R2999-6"	176	122



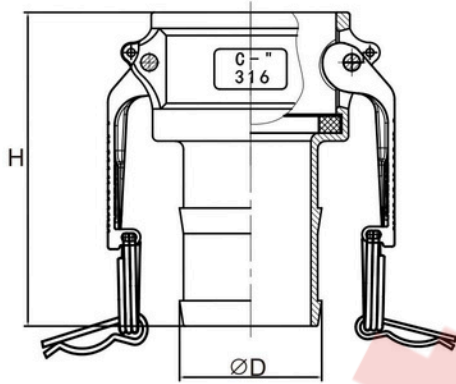
**Type B**



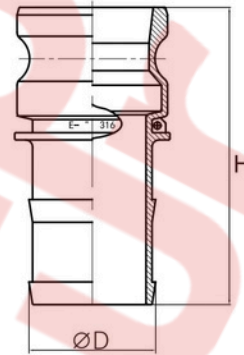
**Type D**

Name ( B )	AG( Male Thread )	D( mm )	H( mm )
050	R2999-1/2"	24.8	43.5
075	R2999-3/4"	32.5	45
100	R2999-1"	37.3	54
125	R2999-1 1/4"	46	60.5
150	R2999-1 1/2"	54	62.5
200	R2999-2"	63.8	72
250	R2999-2 1/2"	76	75
300	R2999-3"	92.5	82
400	R2999-4"	120.3	86.5
500	R2999-5"	146.5	95.5
600	R2999-6"	176.5	107

Name ( D )	IG( Female Thread )	D ( mm )	H ( mm )
050	G1/2"	24.8	43.5
075	G3/4"	32.5	45
100	G1"	37.3	54
125	G1 1/4"	46	60.5
150	G1 1/2"	54	62.5
200	G2"	63.8	72
250	G2 1/2"	76	75
300	G3"	92.5	82
400	G4"	120.3	86.5
500	G5"	146.5	95.5
600	G6"	176.5	104



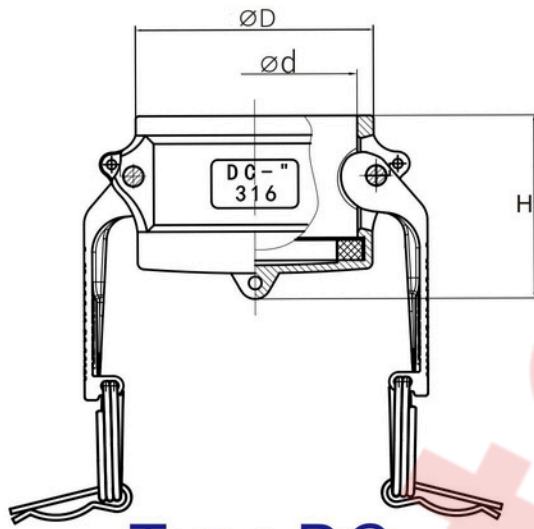
Type C



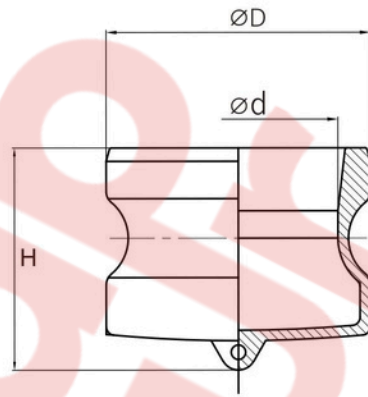
Type E

Name ( C )	Size	D ( mm )	H ( mm )
050	1/2"	15	61
075	3/4"	21	78
100	1"	27.3	92.5
125	1 1/4"	34	96.5
150	1 1/2"	40.6	102
200	2"	53	117
250	2 1/2"	66.7	126
300	3"	78.8	146
400	4"	104.5	150.5
500	5"	130	172.5
600	6"	155.5	227

Name ( E )	Size	D( mm )	H( mm )
050	1/2"	15	66.5
075	3/4"	21	80
100	1"	27.3	97.5
125	1 1/4"	34	102.5
150	1 1/2"	40.6	109
200	2"	53	124.5
250	2 1/2"	66.7	136.5
300	3"	78.8	154.5
400	4"	104.5	162
500	5"	130	180
600	6"	155.5	239



Type DC



Type DP

Name ( DC )	Size	D ( mm )	d ( mm )	H ( mm )
050	1/2"	33	24.8	35
075	3/4"	40	32.5	38.5
100	1"	46	37.3	44.5
125	1 1/4"	56	46	49.5
150	1 1/2"	64	54	52
200	2"	74	63.8	57
250	2 1/2"	87	76.5	59.5
300	3"	105	92.5	65
400	4"	134	120.3	66
500	5"	161	146.5	74
600	6"	194	176.5	80

Name ( DP )	Size	D ( mm )	d ( mm )	H ( mm )
050	1/2"	24.3	14	30.9
075	3/4"	32.1	19	32
100	1"	36.7	24	40.5
125	1 1/4"	45.5	30.3	46
150	1 1/2"	53.4	38.5	48
200	2"	63	48	44.5
250	2 1/2"	75.8	59.6	58.5
300	3"	91.5	76	62
400	4"	119.5	100	65.5
500	5"	145.6	126	67.5
600	6"	176	152	80.5

## Camlock A (Female NPT Thread)

Name	Thread	Code	Weight(kg)	Gasket	Material
050	1/2"	L1021001	0.07	-	SS
075	3/4"	L1021004	0.11	-	SS
100	1"	L1021007	0.15	-	SS
125	1 1/4"	L1021010	0.24	-	SS
150	1 1/2"	L1021013	0.32	-	SS
200	2"	L1021016	0.42	-	SS
250	2 1/2"	L1021019	0.71	-	SS
300	3"	L1021022	0.73	-	SS
400	4"	L1021025	1.42	-	SS
500	5"	L1021028	1.92	-	SS
600	6"	L1021031	3.17	-	SS
800	8"	L1021045	2.31	-	SS
1000	10"	-	-	-	SS
1200	12"	-	-	-	SS
050	1/2"	L1041001	0.02	-	AL
075	3/4"	L1041004	0.04	-	AL
100	1"	L1041007	0.05	-	AL
125	1 1/4"	L1041010	0.09	-	AL
150	1 1/2"	L1041013	0.11	-	AL
200	2"	L1041016	0.15	-	AL
250	2 1/2"	L1041019	0.24	-	AL
300	3"	L1041022	0.27	-	AL
400	4"	L1041025	0.58	-	AL
500	5"	L1041028	0.90	-	AL
600	6"	L1041031	0.84	-	AL
800	8"	L1041045	2.31	-	AL
1000	10"	-	-	-	AL
1200	12"	-	-	-	AL
050	1/2"	L1061001	0.07	-	BR
075	3/4"	L1061004	0.10	-	BR
100	1"	L1061007	0.15	-	BR
125	1 1/4"	L1061010	0.20	-	BR
150	1 1/2"	L1061013	0.29	-	BR
200	2"	L1061016	0.35	-	BR
250	2 1/2"	L1061019	0.72	-	BR
300	3"	L1061022	0.73	-	BR
400	4"	L1061025	1.48	-	BR
500	5"	L1061028	1.79	-	BR
600	6"	L1061031	3.38	-	BR
800	8"	L1061045	7.36	-	BR
1000	10"	-	-	-	BR
1200	12"	-	-	-	BR
050	1/2"	L1071001	0.02	-	PP
075	3/4"	L1071004	0.02	-	PP
100	1"	L1071007	0.03	-	PP
125	1 1/4"	L1071010	0.05	-	PP
150	1 1/2"	L1071013	0.07	-	PP
200	2"	L1071016	0.09	-	PP
250	2 1/2"	L1071019	0.11	-	PP
300	3"	L1071022	0.21	-	PP
400	4"	L1071025	0.36	-	PP



## Camlock A (Female BSP Thread)

Name	Thread	Code	Weight(kg)	Gasket	Material
050	R2999-1/2"	L1021002	0.07	-	SS
075	R2999-3/4"	L1021005	0.11	-	SS
100	R2999-1"	L1021008	0.15	-	SS
125	R2999-1 1/4"	L1021011	0.24	-	SS
150	R2999-1 1/2"	L1021014	0.32	-	SS
200	R2999-2"	L1021017	0.42	-	SS
250	R2999-2 1/2"	L1021020	0.71	-	SS
300	R2999-3"	L1021023	0.73	-	SS
400	R2999-4"	L1021026	1.42	-	SS
500	R2999-5"	L1021029	1.92	-	SS
600	R2999-6"	L1021032	3.17	-	SS
800	R2999-8"	L1021046	2.31	-	SS
1000	R2999-10"	-	-	-	SS
1200	R2999-12"	-	-	-	SS
050	R2999-1/2"	L1041002	0.02	-	AL
075	R2999-3/4"	L1041005	0.04	-	AL
100	R2999-1"	L1041008	0.05	-	AL
125	R2999-1 1/4"	L1041011	0.09	-	AL
150	R2999-1 1/2"	L1041014	0.11	-	AL
200	R2999-2"	L1041017	0.15	-	AL
250	R2999-2 1/2"	L1041020	0.24	-	AL
300	R2999-3"	L1041023	0.27	-	AL
400	R2999-4"	L1041026	0.58	-	AL
500	R2999-5"	L1041029	0.90	-	AL
600	R2999-6"	L1041032	0.84	-	AL
800	R2999-8"	-	2.31	-	AL
1000	R2999-10"	-	-	-	AL
1200	R2999-12"	-	-	-	AL
050	R2999-1/2"	L1061002	0.07	-	BR
075	R2999-3/4"	L1061005	0.10	-	BR
100	R2999-1"	L1061008	0.15	-	BR
125	R2999-1 1/4"	L1061011	0.20	-	BR
150	R2999-1 1/2"	L1061014	0.29	-	BR
200	R2999-2"	L1061017	0.35	-	BR
250	R2999-2 1/2"	L1061020	0.72	-	BR
300	R2999-3"	L1061023	0.73	-	BR
400	R2999-4"	L1061026	1.48	-	BR
500	R2999-5"	L1061029	1.79	-	BR
600	R2999-6"	L1061032	3.38	-	BR
800	R2999-8"	-	7.36	-	BR
1000	R2999-10"	-	-	-	BR
1200	R2999-12"	-	-	-	BR
050	R2999-1/2"	L1071002	0.01	-	PP
075	R2999-3/4"	L1071005	0.02	-	PP
100	R2999-1"	L1071008	0.03	-	PP
125	R2999-1 1/4"	L1071011	0.05	-	PP
150	R2999-1 1/2"	L1071014	0.06	-	PP
200	R2999-2"	L1071017	0.09	-	PP
250	R2999-2 1/2"	L1071020	0.14	-	PP
300	R2999-3"	L1071023	0.18	-	PP
400	R2999-4"	L1071026	0.36	-	PP



## Camlock A(Female BSPP Thread/Gasket)

Name	Thread	Code	Weight(kg)	Gasket	Material
050	ISO228-½"	L1021003	0.07	PTFE	SS
075	ISO228-¾"	L1021006	0.11	PTFE	SS
100	ISO228-1"	L1021009	0.15	PTFE	SS
125	ISO228-1¼"	L1021012	0.24	PTFE	SS
150	ISO228-1½"	L1021015	0.32	PTFE	SS
200	ISO228-2"	L1021018	0.42	PTFE	SS
250	ISO228-2½"	L1021021	0.71	PTFE	SS
300	ISO228-3"	L1021024	0.73	PTFE	SS
400	ISO228-4"	L1021027	1.42	PTFE	SS
500	ISO228-5"	L1021029	1.92	PTFE	SS
600	ISO228-6"	L1021032	3.17	PTFE	SS
800	ISO228-8"	L1021046	2.31	PTFE	SS
1000	ISO228-10"	-	-	PTFE	SS
1200	ISO228-12"	-	-	PTFE	SS
050	ISO228-½"	L1041003	0.02	NBR	AL
075	ISO228-¾"	L1041006	0.04	NBR	AL
100	ISO228-1"	L1041009	0.05	NBR	AL
125	ISO228-1¼"	L1041012	0.09	NBR	AL
150	ISO228-1½"	L1041015	0.11	NBR	AL
200	ISO228-2"	L1041018	0.15	NBR	AL
250	ISO228-2½"	L1041021	0.24	NBR	AL
300	ISO228-3"	L1041046	0.27	NBR	AL
400	ISO228-4"	L1041027	0.58	NBR	AL
500	ISO228-5"	L1041030	0.90	NBR	AL
600	ISO228-6"	L1041032	0.84	NBR	AL
800	ISO228-8"	-	2.31	NBR	AL
1000	ISO228-10"	-	-	NBR	AL
1200	ISO228-12"	-	-	NBR	AL
050	ISO228-½"	L1061003	0.07	NBR	BR
075	ISO228-¾"	L1061006	0.10	NBR	BR
100	ISO228-1"	L1061009	0.15	NBR	BR
125	ISO228-1¼"	L1061012	0.20	NBR	BR
150	ISO228-1½"	L1061015	0.29	NBR	BR
200	ISO228-2"	L1061018	0.35	NBR	BR
250	ISO228-2½"	L1061021	0.72	NBR	BR
300	ISO228-3"	L1061024	0.73	NBR	BR
400	ISO228-4"	L1061027	1.48	NBR	BR
500	ISO228-5"	L1061029	1.79	NBR	BR
600	ISO228-6"	L1061032	3.38	NBR	BR
800	ISO228-8"	-	7.36	NBR	BR
1000	ISO228-10"	-	-	NBR	BR
1200	ISO228-12"	-	-	NBR	BR



## Camlock B (Male NPT Thread/Gasket)

Name	Thread	Code	Weight(kg)	Gasket	Material
050	1/2"	L1022001	0.12	NBR	SS
075	3/4"	L1022004	0.20	NBR	SS
100	1"	L1022007	0.29	NBR	SS
125	1 1/4"	L1022010	0.47	NBR	SS
150	1 1/2"	L1022013	0.54	NBR	SS
200	2"	L1022016	0.67	NBR	SS
250	2 1/2"	L1022019	1.14	NBR	SS
300	3"	L1022022	1.36	NBR	SS
400	4"	L1022025	1.97	NBR	SS
500	5"	L1022028	2.98	NBR	SS
600	6"	L1022031	4.11	NBR	SS
800	8"	L1022034	2.60	NBR	SS
1000	10"	-	-	NBR	SS
1200	12"	-	-	NBR	SS
050	1/2"	L1042001	0.07	NBR	AL
075	3/4"	L1042004	0.10	NBR	AL
100	1"	L1042007	0.16	NBR	AL
125	1 1/4"	L1042010	0.27	NBR	AL
150	1 1/2"	L1042013	0.30	NBR	AL
200	2"	L1042016	0.35	NBR	AL
250	2 1/2"	L1042019	0.43	NBR	AL
300	3"	L1042022	0.68	NBR	AL
400	4"	L1042025	0.92	NBR	AL
500	5"	L1042028	1.81	NBR	AL
600	6"	L1042031	1.78	NBR	AL
800	8"	L1042034	2.31	NBR	AL
1000	10"	-	-	NBR	AL
1200	12"	-	-	NBR	AL
050	1/2"	L1062001	0.17	NBR	BR
075	3/4"	L1062004	0.21	NBR	BR
100	1"	L1062007	0.32	NBR	BR
125	1 1/4"	L1062010	0.45	NBR	BR
150	1 1/2"	L1062013	0.52	NBR	BR
200	2"	L1062016	0.64	NBR	BR
250	2 1/2"	L1062019	0.94	NBR	BR
300	3"	L1062022	1.38	NBR	BR
400	4"	L1062025	1.94	NBR	BR
500	5"	L1062028	3.98	NBR	BR
600	6"	L1062031	3.65	NBR	BR
800	8"	-	-	NBR	BR
1000	10"	-	-	NBR	BR
1200	12"	-	-	NBR	BR
050	1/2"	L1072001	0.07	NBR	PP
075	3/4"	L1072004	0.08	NBR	PP
100	1"	L1072007	0.11	NBR	PP
125	1 1/4"	L1072010	0.21	NBR	PP
150	1 1/2"	L1072013	0.21	NBR	PP
200	2"	L1072016	0.25	NBR	PP
250	2 1/2"	L1072019	0.30	NBR	PP
300	3"	L1072022	0.50	NBR	PP
400	4"	L1072025	0.76	NBR	PP



## Camlock B(Male BSPT Thread/Gasket)

Name	Thread	Code	Weight(kg)	Gasket	Material
050	R2999-1/2"	L1022002	0.12	NBR	SS
075	R2999-3/4"	L1022005	0.20	NBR	SS
100	R2999-1"	L1022008	0.29	NBR	SS
125	R2999-1 1/4"	L1022011	0.47	NBR	SS
150	R2999-1 1/2"	L1022014	0.54	NBR	SS
200	R2999-2"	L1022017	0.67	NBR	SS
250	R2999-2 1/2"	L1022020	1.14	NBR	SS
300	R2999-3"	L1022023	1.36	NBR	SS
400	R2999-4"	L1022026	1.97	NBR	SS
500	R2999-5"	L1022029	2.98	NBR	SS
600	R2999-6"	L1022032	4.11	NBR	SS
800	R2999-8"	L1022035	2.60	NBR	SS
1000	R2999-10"	-	-	NBR	SS
1200	R2999-12"	-	-	NBR	SS
050	R2999-1/2"	L1042002	0.07	NBR	AL
075	R2999-3/4"	L1042005	0.10	NBR	AL
100	R2999-1"	L1042008	0.16	NBR	AL
125	R2999-1 1/4"	L1042011	0.27	NBR	AL
150	R2999-1 1/2"	L1042014	0.30	NBR	AL
200	R2999-2"	L1042017	0.35	NBR	AL
250	R2999-2 1/2"	L1042020	0.43	NBR	AL
300	R2999-3"	L1042023	0.68	NBR	AL
400	R2999-4"	L1042026	0.92	NBR	AL
500	R2999-5"	L1042029	1.81	NBR	AL
600	R2999-6"	L1042032	1.78	NBR	AL
800	R2999-8"	-	2.31	NBR	AL
1000	R2999-10"	-	-	NBR	AL
1200	R2999-12"	-	-	NBR	AL
050	R2999-1/2"	L1062002	0.17	NBR	BR
075	R2999-3/4"	L1062005	0.21	NBR	BR
100	R2999-1"	L1062008	0.32	NBR	BR
125	R2999-1 1/4"	L1062011	0.45	NBR	BR
150	R2999-1 1/2"	L1062014	0.52	NBR	BR
200	R2999-2"	L1062017	0.64	NBR	BR
250	R2999-2 1/2"	L1062020	0.94	NBR	BR
300	R2999-3"	L1062023	1.38	NBR	BR
400	R2999-4"	L1062026	1.94	NBR	BR
500	R2999-5"	L1062029	3.98	NBR	BR
600	R2999-6"	L1062032	3.65	NBR	BR
800	R2999-8"	-	-	NBR	BR
1000	R2999-10"	-	-	NBR	BR
1200	R2999-12"	-	-	NBR	BR
050	R2999-1/2"	L1072002	0.07	NBR	PP
075	R2999-3/4"	L1072005	0.08	NBR	PP
100	R2999-1"	L1072008	0.11	NBR	PP
125	R2999-1 1/4"	L1072011	0.21	NBR	PP
150	R2999-1 1/2"	L1072014	0.21	NBR	PP
200	R2999-2"	L1072017	0.25	NBR	PP
250	R2999-2 1/2"	L1072020	0.30	NBR	PP
300	R2999-3"	L1072023	0.50	NBR	PP
400	R2999-4"	L1072026	0.76	NBR	PP



## Camlock C(Gasket)

Name	Size	Code	Weight(kg)	Gasket	Material
050	1/2"	L1023001	0.12	NBR	SS
075	3/4"	L1023002	0.20	NBR	SS
100	1"	L1023003	0.29	NBR	SS
125	1 1/4"	L1023004	0.47	NBR	SS
150	1 1/2"	L1023005	0.54	NBR	SS
200	2"	L1023006	0.67	NBR	SS
250	2 1/2"	L1023007	1.14	NBR	SS
300	3"	L1023008	1.35	NBR	SS
400	4"	L1023009	1.97	NBR	SS
500	5"	L1023010	2.98	NBR	SS
600	6"	L1023011	4.11	NBR	SS
800	8"	L1023023	2.60	NBR	SS
1000	10"	-	-	NBR	SS
1200	12"	-	-	NBR	SS
050	1/2"	L1043001	0.07	NBR	AL
075	3/4"	L1043002	0.10	NBR	AL
100	1"	L1043003	0.16	NBR	AL
125	1 1/4"	L1043004	0.27	NBR	AL
150	1 1/2"	L1043005	0.30	NBR	AL
200	2"	L1043006	0.35	NBR	AL
250	2 1/2"	L1043007	0.43	NBR	AL
300	3"	L1043008	0.68	NBR	AL
400	4"	L1043009	0.92	NBR	AL
500	5"	L1043010	1.81	NBR	AL
600	6"	L1043011	1.78	NBR	AL
800	8"	L1043023	4.75	NBR	AL
1000	10"	-	-	NBR	AL
1200	12"	-	-	NBR	AL
050	1/2"	L1063001	0.15	NBR	BR
075	3/4"	L1063002	0.23	NBR	BR
100	1"	L1063003	0.36	NBR	BR
125	1 1/4"	L1063004	0.49	NBR	BR
150	1 1/2"	L1063005	0.62	NBR	BR
200	2"	L1063006	0.77	NBR	BR
250	2 1/2"	L1063007	1.07	NBR	BR
300	3"	L1063008	1.58	NBR	BR
400	4"	L1063009	4.13	NBR	BR
500	5"	L1063010	3.32	NBR	BR
600	6"	L1063011	6.05	NBR	BR
800	8"	-	-	NBR	BR
1000	10"	-	-	NBR	BR
1200	12"	-	-	NBR	BR
050	1/2"	L1073001	0.07	NBR	PP
075	3/4"	L1073002	0.08	NBR	PP
100	1"	L1073003	0.12	NBR	PP
125	1 1/4"	L1073004	0.23	NBR	PP
150	1 1/2"	L1073005	0.23	NBR	PP
200	2"	L1073006	0.31	NBR	PP
250	2 1/2"	L1073007	0.51	NBR	PP
300	3"	L1073008	0.64	NBR	PP
400	4"	L1073009	0.91	NBR	PP



## Type C- Serrated hose shank

Name	Size	Code	Weight(kg)	Gasket	Material
050	1/2"	L1023199	0.12	NBR	SS
075	3/4"	L1023202	0.20	NBR	SS
100	1"	L1023005	0.29	NBR	SS
125	1 1/4"	L1023208	0.47	NBR	SS
150	1 1/2"	L1023211	0.54	NBR	SS
200	2"	L1023213	0.67	NBR	SS
250	2 1/2"	L1023216	1.14	NBR	SS
300	3"	L1023219	1.35	NBR	SS
400	4"	L1023222	1.97	NBR	SS
500	5"	L1023225	2.98	NBR	SS
600	6"	L1023228	4.11	NBR	SS
800	8"	L1023231	2.60	NBR	SS
1000	10"	-	-	NBR	SS
1200	12"	-	-	NBR	SS



050	1/2"	L1043128	0.07	NBR	AL
075	3/4"	L1043130	0.10	NBR	AL
100	1"	L1043132	0.16	NBR	AL
125	1 1/4"	L1043134	0.27	NBR	AL
150	1 1/2"	L1043136	0.30	NBR	AL
200	2"	L1043138	0.35	NBR	AL
250	2 1/2"	L1043140	0.43	NBR	AL
300	3"	L1043142	0.68	NBR	AL
400	4"	L1043144	0.92	NBR	AL
500	5"	L1043146	1.81	NBR	AL
600	6"	L1043148	1.78	NBR	AL
800	8"	L1043150	4.75	NBR	AL
1000	10"	-	-	NBR	AL
1200	12"	-	-	NBR	AL



050	1/2"	L1063068	0.15	NBR	BR
075	3/4"	L1063071	0.23	NBR	BR
100	1"	L1063074	0.36	NBR	BR
125	1 1/4"	L1063077	0.49	NBR	BR
150	1 1/2"	L1063080	0.62	NBR	BR
200	2"	L1063083	0.77	NBR	BR
250	2 1/2"	L1063086	1.07	NBR	BR
300	3"	L1063089	1.58	NBR	BR
400	4"	L1063092	4.13	NBR	BR
500	5"	L1063098	3.32	NBR	BR
600	6"	L1063101	6.05	NBR	BR
800	8"	-	-	NBR	BR
1000	10"	-	-	NBR	BR
1200	12"	-	-	NBR	BR



050	1/2"	L1073012	0.01	NBR	PP
075	3/4"	L1073013	0.08	NBR	PP
100	1"	L1073014	0.12	NBR	PP
125	1 1/4"	L1073015	0.23	NBR	PP
150	1 1/2"	L1076016	0.23	NBR	PP
200	2"	L1073017	0.31	NBR	PP
250	2 1/2"	L1073018	0.51	NBR	PP
300	3"	L1073019	0.64	NBR	PP
400	4"	L1073020	0.91	NBR	PP



\* the serrated suitable to safety clamps and crimping ferrules(only for SS , BR , AL)

## Type C-Smooth shank EN 14420-7(16bars)

Name	Size	Code	Weight(kg)	Gasket	Material
050	1/2"	L1023012	0.12	NBR	SS
075	3/4"	L1023013	0.24	NBR	SS
100	1"	L1023014	0.35	NBR	SS
125	1 1/4"	L1023015	0.59	NBR	SS
150	1 1/2"	L1023016	0.68	NBR	SS
200	2"	L1023017	0.90	NBR	SS
250	2 1/2"	L1023018	1.24	NBR	SS
300	3"	L1023019	1.57	NBR	SS
400	4"	L1023020	2.59	NBR	SS



\* Suitable for safety clamps and crimping ferrules.

050	1/2"	L1063023	0.15	NBR	BR
075	3/4"	L1063024	0.25	NBR	BR
100	1"	L1063025	0.38	NBR	BR
125	1 1/4"	L1063026	0.63	NBR	BR
150	1 1/2"	L1063027	0.69	NBR	BR
200	2"	L1063028	0.91	NBR	BR
250	2 1/2"	L1063029	1.18	NBR	BR
300	3"	L1063030	1.57	NBR	BR
400	4"	L1063031	2.71	NBR	BR



\* Suitable for safety clamps and crimping ferrules.

## Camlock D (Female NPT Thread/Gasket)

Name	Thread	Code	Weight(kg)	Gasket	Material
050	1/2"	L1024001	0.13	NBR	SS
075	3/4"	L1024004	0.23	NBR	SS
100	1"	L1024007	0.31	NBR	SS
125	1 1/4"	L1024010	0.49	NBR	SS
150	1 1/2"	L1024013	0.55	NBR	SS
200	2"	L1024016	0.71	NBR	SS
250	2 1/2"	L1024019	1.01	NBR	SS
300	3"	L1024022	1.31	NBR	SS
400	4"	L1024025	2.14	NBR	SS
500	5"	L1024028	3.54	NBR	SS
600	6"	L1024031	4.61	NBR	SS
800	8"	-	-	NBR	SS
1000	10"	-	-	NBR	SS
1200	12"	-	-	NBR	SS



050	1/2"	L1044001	0.06	NBR	AL
075	3/4"	L1044004	0.12	NBR	AL
100	1"	L1044007	0.16	NBR	AL
125	1 1/4"	L1044010	0.28	NBR	AL
150	1 1/2"	L1044013	0.32	NBR	AL
200	2"	L1044016	0.36	NBR	AL
250	2 1/2"	L1044019	0.47	NBR	AL
300	3"	L1044022	0.73	NBR	AL
400	4"	L1044025	1.21	NBR	AL
500	5"	L1044028	1.41	NBR	AL
600	6"	L1044031	2.16	NBR	AL
800	8"	L1044035	2.61	NBR	AL
1000	10"	-	-	NBR	AL
1200	12"	-	-	NBR	AL



050	1/2"	L1064001	0.16	NBR	BR
075	3/4"	L1064004	0.22	NBR	BR
100	1"	L1064007	0.32	NBR	BR
125	1 1/4"	L1064010	0.46	NBR	BR
150	1 1/2"	L1064013	0.54	NBR	BR
200	2"	L1064016	0.67	NBR	BR
250	2 1/2"	L1064019	0.94	NBR	BR
300	3"	L1064022	1.40	NBR	BR
400	4"	L1064025	2.09	NBR	BR
500	5"	L1064028	2.58	NBR	BR
600	6"	L1064031	5.02	NBR	BR
800	8"	-	-	NBR	BR
1000	10"	-	-	NBR	BR
1200	12"	-	-	NBR	BR



050	1/2"	L1074001	0.07	NBR	PP
075	3/4"	L1074004	0.08	NBR	PP
100	1"	L1074007	0.13	NBR	PP
125	1 1/4"	L1074010	0.21	NBR	PP
150	1 1/2"	L1074013	0.23	NBR	PP
200	2"	L1074016	0.27	NBR	PP
250	2 1/2"	L1074019	0.44	NBR	PP
300	3"	L1074022	0.50	NBR	PP
400	4"	L1074025	0.75	NBR	PP



## Camlock D (Female BSP Thread/Gasket)

Name	Thread	Code	Weight(kg)	Gasket	Material
050	R2999-1/2"	L1024002	0.13	NBR	SS
075	R2999-3/4"	L1024005	0.23	NBR	SS
100	R2999-1"	L1024008	0.31	NBR	SS
125	R2999-1 1/4"	L1024011	0.49	NBR	SS
150	R2999-1 1/2"	L1024014	0.55	NBR	SS
200	R2999-2"	L1024017	0.71	NBR	SS
250	R2999-2 1/2"	L1024020	1.01	NBR	SS
300	R2999-3"	L1024023	1.31	NBR	SS
400	R2999-4"	L1024026	2.14	NBR	SS
500	R2999-5"	L1024029	3.54	NBR	SS
600	R2999-6"	L1024032	4.61	NBR	SS
800	R2999-8"	L1024046	-	NBR	SS
1000	R2999-10"	-	-	NBR	SS
1200	R2999-12"	-	-	NBR	SS
050	R2999-1/2"	L1044002	0.06	NBR	AL
075	R2999-3/4"	L1044005	0.12	NBR	AL
100	R2999-1"	L1044008	0.16	NBR	AL
125	R2999-1 1/4"	L1044011	0.28	NBR	AL
150	R2999-1 1/2"	L1044014	0.32	NBR	AL
200	R2999-2"	L1044017	0.36	NBR	AL
250	R2999-2 1/2"	L1044020	0.47	NBR	AL
300	R2999-3"	L1044023	0.73	NBR	AL
400	R2999-4"	L1044026	1.21	NBR	AL
500	R2999-5"	L1044029	1.41	NBR	AL
600	R2999-6"	L1044032	2.16	NBR	AL
800	R2999-8"	-	2.61	NBR	AL
1000	R2999-10"	-	-	NBR	AL
1200	R2999-12"	-	-	NBR	AL
050	R2999-1/2"	L1064002	0.16	NBR	BR
075	R2999-3/4"	L1064005	0.22	NBR	BR
100	R2999-1"	L1064008	0.32	NBR	BR
125	R2999-1 1/4"	L1064011	0.46	NBR	BR
150	R2999-1 1/2"	L1064014	0.54	NBR	BR
200	R2999-2"	L1064017	0.67	NBR	BR
250	R2999-2 1/2"	L1064020	0.94	NBR	BR
300	R2999-3"	L1064023	1.40	NBR	BR
400	R2999-4"	L1064026	2.09	NBR	BR
500	R2999-5"	L1064023	2.58	NBR	BR
600	R2999-6"	L1064032	5.02	NBR	BR
800	R2999-8"	-	-	NBR	BR
1000	R2999-10"	-	-	NBR	BR
1200	R2999-12"	-	-	NBR	BR
050	R2999-1/2"	L1074002	0.07	NBR	PP
075	R2999-3/4"	L1074005	0.08	NBR	PP
100	R2999-1"	L1074008	0.13	NBR	PP
125	R2999-1 1/4"	L1074011	0.21	NBR	PP
150	R2999-1 1/2"	L1074014	0.23	NBR	PP
200	R2999-2"	L1074017	0.27	NBR	PP
250	R2999-2 1/2"	L1074020	0.44	NBR	PP
300	R2999-3"	L1074023	0.50	NBR	PP
400	R2999-4"	L1074026	0.75	NBR	PP



## Camlock D (Female BSPP Thread/Gasket)

Name	Thread	Code	Weight(kg)	Thread gasket	Gasket	Material
050	ISO228-1/2"	L1024290	0.13	PTFE	NBR	SS
075	ISO228-3/4"	L1024293	0.23	PTFE	NBR	SS
100	ISO228-1"	L1024297	0.31	PTFE	NBR	SS
125	ISO228-1 1/4"	L1024301	0.49	PTFE	NBR	SS
150	ISO228-1 1/2"	L1024304	0.55	PTFE	NBR	SS
200	ISO228-2"	L1024308	0.71	PTFE	NBR	SS
250	ISO228-2 1/2"	L1024312	1.01	PTFE	NBR	SS
300	ISO228-3"	L1024316	1.31	PTFE	NBR	SS
400	ISO228-4"	L1024320	2.14	PTFE	NBR	SS
500	ISO228-5"	L1024323	3.54	PTFE	NBR	SS
600	ISO228-6"	L1024327	4.61	PTFE	NBR	SS
800	ISO228-8"	L1024331	-	PTFE	NBR	SS
1000	ISO228-10"	-	-	PTFE	NBR	SS
1200	ISO228-12"	-	-	PTFE	NBR	SS



050	ISO228-1/2"	L1044101	0.06	NBR	NBR	AL
075	ISO228-3/4"	L1044105	0.12	NBR	NBR	AL
100	ISO228-1"	L1044109	0.16	NBR	NBR	AL
125	ISO228-1 1/4"	L1044113	0.28	NBR	NBR	AL
150	ISO228-1 1/2"	L1044117	0.32	NBR	NBR	AL
200	ISO228-2"	L1044121	0.36	NBR	NBR	AL
250	ISO228-2 1/2"	L1044125	0.47	NBR	NBR	AL
300	ISO228-3"	L1044129	0.73	NBR	NBR	AL
400	ISO228-4"	L1044133	1.21	NBR	NBR	AL
500	ISO228-5"	L1044137	1.41	NBR	NBR	AL
600	ISO228-6"	L1044141	2.16	NBR	NBR	AL
800	ISO228-8"	L1044145	2.61	NBR	NBR	AL
1000	ISO228-10"	-	-	NBR	NBR	AL
1200	ISO228-12"	-	-	NBR	NBR	AL



050	ISO228-1/2"	L1064116	0.16	NBR	NBR	BR
075	ISO228-3/4"	L1064120	0.22	NBR	NBR	BR
100	ISO228-1"	L1064124	0.32	NBR	NBR	BR
125	ISO228-1 1/4"	L1064128	0.46	NBR	NBR	BR
150	ISO228-1 1/2"	L1064132	0.54	NBR	NBR	BR
200	ISO228-2"	L1064136	0.67	NBR	NBR	BR
250	ISO228-2 1/2"	L1064140	0.94	NBR	NBR	BR
300	ISO228-3"	L1064144	1.40	NBR	NBR	BR
400	ISO228-4"	L1061148	2.09	NBR	NBR	BR
500	ISO228-5"	L1064152	2.58	NBR	NBR	BR
600	ISO228-6"	L1064156	5.02	NBR	NBR	BR
800	ISO228-8"	L1064160	-	NBR	NBR	BR
1000	ISO228-10"	-	-	NBR	NBR	BR
1200	ISO228-12"	-	-	NBR	NBR	BR



## Camlock E

Name	Size	Code	Weight(kg)	Material
050	1/2"	L1025001	0.07	SS
075	3/4"	L1025002	0.14	SS
100	1"	L1025003	0.25	SS
125	1 1/4"	L1025004	0.37	SS
150	1 1/2"	L1025005	0.56	SS
200	2"	L1025006	0.85	SS
250	2 1/2"	L1025007	1.17	SS
300	3"	L1025008	1.73	SS
400	4"	L1025009	2.85	SS
500	5"	L1025010	4.05	SS
600	6"	L1025011	5.64	SS
800	8"	L1025038	10.11	SS
1000	10"	-	-	SS
1200	12"	-	-	SS
050	1/2"	L1045001	0.03	AL
075	3/4"	L1045002	0.05	AL
100	1"	L1045003	0.09	AL
125	1 1/4"	L1045004	0.12	AL
150	1 1/2"	L1045005	0.19	AL
200	2"	L1045006	0.28	AL
250	2 1/2"	L1045007	0.45	AL
300	3"	L1045008	0.66	AL
400	4"	L1045009	1.13	AL
500	5"	L1045010	1.48	AL
600	6"	L1045011	2.21	AL
800	8"	L1045023	3.61	AL
1000	10"	-	-	AL
1200	12"	-	-	AL
050	1/2"	L1065001	0.11	BR
075	3/4"	L1065002	0.16	BR
100	1"	L1065003	0.24	BR
125	1 1/4"	L1065004	0.33	BR
150	1 1/2"	L1065005	0.44	BR
200	2"	L1065006	0.73	BR
250	2 1/2"	L1065007	0.96	BR
300	3"	L1065008	1.25	BR
400	4"	L1065009	1.91	BR
500	5"	L1065010	4.54	BR
600	6"	L1065011	5.07	BR
800	8"	-	-	BR
1000	10"	-	-	BR
1200	12"	-	-	BR
050	1/2"	L1075001	0.01	PP
075	3/4"	L1075002	0.03	PP
100	1"	L1075003	0.04	PP
125	1 1/4"	L1075004	0.07	PP
150	1 1/2"	L1075005	0.09	PP
200	2"	L1075006	0.15	PP
250	2 1/2"	L1075007	0.25	PP
300	3"	L1075008	0.35	PP
400	4"	L1075009	0.55	PP



## Type E - Serrated hose shank

Name	Size	Code	Weight(kg)	Material
050	1/2"	L1025113	0.07	SS
075	3/4"	L1025101	0.14	SS
100	1"	L1025102	0.25	SS
125	1 1/4"	L1025103	0.37	SS
150	1 1/2"	L1025104	0.56	SS
200	2"	L1025105	0.85	SS
250	2 1/2"	L1025106	1.17	SS
300	3"	L1025107	1.73	SS
400	4"	L1025108	2.85	SS
500	5"	L1025109	4.05	SS
600	6"	L1025110	5.64	SS
800	8"	L1025111	10.11	SS
1000	10"	-	-	SS
1200	12"	-	-	SS
050	1/2"	L1045012	0.03	AL
075	3/4"	L1045013	0.05	AL
100	1"	L1045014	0.09	AL
125	1 1/4"	L1045015	0.12	AL
150	1 1/2"	L1045016	0.19	AL
200	2"	L1045104	0.28	AL
250	2 1/2"	L1045018	0.45	AL
300	3"	L1045019	0.66	AL
400	4"	L1045020	1.13	AL
500	5"	L1045021	1.48	AL
600	6"	L1045022	2.21	AL
800	8"	L1045025	3.61	AL
1000	10"	-	-	AL
1200	12"	-	-	AL
050	1/2"	L1065012	0.11	BR
075	3/4"	L1065013	0.16	BR
100	1"	L1065014	0.24	BR
125	1 1/4"	L1065015	0.33	BR
150	1 1/2"	L1065016	0.44	BR
200	2"	L1065017	0.73	BR
250	2 1/2"	L1065018	0.96	BR
300	3"	L1065019	1.25	BR
400	4"	L1065020	1.91	BR
500	5"	L1065021	4.54	BR
600	6"	L1065022	5.07	BR
800	8"	L1065035	7.13	BR
1000	10"	-	-	BR
1200	12"	-	-	BR
050	1/2"	L1075012	0.01	PP
075	3/4"	L1075013	0.03	PP
100	1"	L1075014	0.04	PP
125	1 1/4"	L1075015	0.07	PP
150	1 1/2"	L1075016	0.09	PP
200	2"	L1075017	0.15	PP
250	2 1/2"	L1075018	0.25	PP
300	3"	L1075019	0.35	PP
400	4"	L1075020	0.55	PP
600	6"	L1075022	0.75	PP



\* the serrated suitable to safety clamps and crimping ferrules ( only for SS BR AL)

## Type E-Smooth shank EN 14420-7(16bars)

Name	Size	Code	Weight(kg)	Material
050	1/2"	L1025012	0.07	SS
075	3/4"	L1025013	0.13	SS
100	1"	L1025014	0.20	SS
125	1 1/4"	L1025015	0.33	SS
150	1 1/2"	L1025016	0.45	SS
200	2"	L1025017	0.58	SS
250	2 1/2"	L1025018	0.96	SS
300	3"	L1025019	1.16	SS
400	4"	L1025020	2.26	SS



\* Suitable for safety clamps and crimping ferrules.

050	1/2"	L1065023	0.11	BR
075	3/4"	L1065024	0.14	BR
100	1"	L1065025	0.21	BR
125	1 1/4"	L1065026	0.35	BR
150	1 1/2"	L1065027	0.45	BR
200	2"	L1065028	0.66	BR
250	2 1/2"	L1065029	0.98	BR
300	3"	L1065030	1.26	BR
400	4"	L1065031	2.69	BR



\* Suitable for safety clamps and crimping ferrules.

## Camlock F(Male NPT Thread)

Name	Thread	Code	Weight(kg)	Material
050	1/2"	L1026001	0.13	SS
075	3/4"	L1026004	0.18	SS
100	1"	L1026009	0.25	SS
125	1 1/4"	L1026010	0.43	SS
150	1 1/2"	L1026012	0.51	SS
200	2"	L1026015	0.76	SS
250	2 1/2"	L1026018	0.84	SS
300	3"	L1026021	1.01	SS
400	4"	L1026024	1.73	SS
500	5"	L1026027	2.74	SS
600	6"	L1026030	4.28	SS
800	8"	L1026052	5.31	SS
1000	10"	-	-	SS
1200	12"	-	-	SS
050	1/2"	L1046001	0.05	AL
075	3/4"	L1046004	0.11	AL
100	1"	L1046007	0.14	AL
125	1 1/4"	L1046010	0.24	AL
150	1 1/2"	L1046013	0.27	AL
200	2"	L1046016	0.33	AL
250	2 1/2"	L1046019	0.41	AL
300	3"	L1046022	0.65	AL
400	4"	L1016025	0.92	AL
500	5"	L1046028	1.16	AL
600	6"	L1046031	1.78	AL
800	8"	L1046034	4.21	AL
1000	10"	-	-	AL
1200	12"	-	-	AL
050	1/2"	L1066001	0.12	BR
075	3/4"	L1066004	0.13	BR
100	1"	L1066007	0.27	BR
125	1 1/4"	L1066010	0.41	BR
150	1 1/2"	L1066013	0.48	BR
200	2"	L1066016	0.61	BR
250	2 1/2"	L1066019	0.77	BR
300	3"	L1066022	1.21	BR
400	4"	L1066025	1.87	BR
500	5"	L1066028	2.11	BR
600	6"	L1066031	3.72	BR
800	8"	-	-	BR
1000	10"	-	-	BR
1200	12"	-	-	BR
050	1/2"	L1076001	0.07	PP
075	3/4"	L1076004	0.07	PP
100	1"	L1076007	0.11	PP
125	1 1/4"	L1076010	0.21	PP
150	1 1/2"	L1076013	0.22	PP
200	2"	L1076016	0.24	PP
250	2 1/2"	L1076019	0.36	PP
300	3"	L1076022	0.43	PP
400	4"	L1076025	0.67	PP



## Camlock F (Male BSPT Thread)

Name	Thread	Code	Weight(kg)	Material
050	R2999-1/2"	L1026002	0.13	SS
075	R2999-3/4"	L1026005	0.18	SS
100	R2999-1"	L1026008	0.25	SS
125	R2999-1 1/4"	L1026011	0.43	SS
150	R2999-1 1/2"	L1026014	0.51	SS
200	R2999-2"	L1026017	0.76	SS
250	R2999-2 1/2"	L1026020	0.84	SS
300	R2999-3"	L1026023	1.01	SS
400	R2999-4"	L1026026	1.73	SS
500	R2999-5"	L1026029	2.74	SS
600	R2999-6"	L1026032	4.28	SS
800	R2999-8"	L1026053	5.31	SS
1000	R2999-10"	-	-	SS
1200	R2999-12"	-	-	SS
050	R2999-1/2"	L1046002	0.05	AL
075	R2999-3/4"	L1046005	0.11	AL
100	R2999-1"	L1046008	0.14	AL
125	R2999-1 1/4"	L1046011	0.24	AL
150	R2999-1 1/2"	L1046014	0.27	AL
200	R2999-2"	L1046017	0.33	AL
250	R2999-2 1/2"	L1046020	0.41	AL
300	R2999-3"	L1046023	0.65	AL
400	R2999-4"	L1016026	0.92	AL
500	R2999-5"	L1046029	1.16	AL
600	R2999-6"	L1046032	1.78	AL
800	R2999-8"	-	4.21	AL
1000	R2999-10"	-	-	AL
1200	R2999-12"	-	-	AL
050	R2999-1/2"	L1066002	0.12	BR
075	R2999-3/4"	L1066005	0.13	BR
100	R2999-1"	L1066008	0.27	BR
125	R2999-1 1/4"	L1066011	0.41	BR
150	R2999-1 1/2"	L1066014	0.48	BR
200	R2999-2"	L1066017	0.61	BR
250	R2999-2 1/2"	L1066020	0.77	BR
300	R2999-3"	L1066023	1.21	BR
400	R2999-4"	L1066026	1.87	BR
500	R2999-5"	L1066029	2.11	BR
600	R2999-6"	L1066032	3.72	BR
800	R2999-8"	-	-	BR
1000	R2999-10"	-	-	BR
1200	R2999-12"	-	-	BR
050	R2999-1/2"	L1076002	0.07	PP
075	R2999-3/4"	L1076005	0.07	PP
100	R2999-1"	L1076008	0.11	PP
125	R2999-1 1/4"	L1076011	0.21	PP
150	R2999-1 1/2"	L1076014	0.22	PP
200	R2999-2"	L1076017	0.24	PP
250	R2999-2 1/2"	L1076020	0.36	PP
300	R2999-3"	L1076023	0.43	PP
400	R2999-4"	L1076026	0.67	PP



## Camlock DC(Gasket)

Name	Size	Code	Weight(kg)	Gasket	Material
050	1/2"	L1028001	0.13	NBR	SS
075	3/4"	L1028002	0.18	NBR	SS
100	1"	L1028003	0.25	NBR	SS
125	1 1/4"	L1028004	0.43	NBR	SS
150	1 1/2"	L1028005	0.51	NBR	SS
200	2"	L1028006	0.76	NBR	SS
250	2 1/2"	L1028007	0.84	NBR	SS
300	3"	L1028008	1.01	NBR	SS
400	4"	L1028009	1.73	NBR	SS
500	5"	L1028010	2.74	NBR	SS
600	6"	L1028011	4.28	NBR	SS
800	8"	-	-	NBR	SS
1000	10"	-	-	NBR	SS
1200	12"	-	-	NBR	SS
050	1/2"	L1048001	0.05	NBR	AL
075	3/4"	L1048002	0.11	NBR	AL
100	1"	L1048003	0.14	NBR	AL
125	1 1/4"	L1048004	0.24	NBR	AL
150	1 1/2"	L1048005	0.27	NBR	AL
200	2"	L1048006	0.33	NBR	AL
250	2 1/2"	L1048007	0.41	NBR	AL
300	3"	L1048008	0.65	NBR	AL
400	4"	L1048009	0.92	NBR	AL
500	5"	L1048010	1.16	NBR	AL
600	6"	L1048011	1.78	NBR	AL
800	8"	L1048012	4.21	NBR	AL
1000	10"	-	-	NBR	AL
1200	12"	-	-	NBR	AL
050	1/2"	L1068001	0.12	NBR	BR
075	3/4"	L1068002	0.13	NBR	BR
100	1"	L1068003	0.27	NBR	BR
125	1 1/4"	L1068004	0.41	NBR	BR
150	1 1/2"	L1068005	0.48	NBR	BR
200	2"	L1068006	0.61	NBR	BR
250	2 1/2"	L1068007	0.77	NBR	BR
300	3"	L1068008	1.21	NBR	BR
400	4"	L1068009	1.87	NBR	BR
500	5"	L1068010	2.11	NBR	BR
600	6"	L1068011	3.72	NBR	BR
800	8"	-	-	NBR	BR
1000	10"	-	-	NBR	BR
1200	12"	-	-	NBR	BR
050	1/2"	L1078001	0.07	-	PP
075	3/4"	L1078002	0.07	-	PP
100	1"	L1078003	0.11	-	PP
125	1 1/4"	L1078004	0.21	-	PP
150	1 1/2"	L1078005	0.22	-	PP
200	2"	L1078006	0.24	-	PP
250	2 1/2"	L1078007	0.36	-	PP
300	3"	L1078008	0.43	-	PP
400	4"	L1078009	0.67	-	PP



\* we can add a chain on request.

## Camlock DP

Name	Size	Code	Weight(kg)	Accessories	Material
050	1/2"	L1027001	0.06	Chain	SS
075	3/4"	L1027002	0.08	Chain	SS
100	1"	L1027003	0.13	Chain	SS
125	1 1/4"	L1027004	0.25	Chain	SS
150	1 1/2"	L1027005	0.32	Chain	SS
200	2"	L1027006	0.46	Chain	SS
250	2 1/2"	L1027007	0.67	Chain	SS
300	3"	L1027008	0.93	Chain	SS
400	4"	L1027009	1.59	Chain	SS
500	5"	L1027010	1.91	Chain	SS
600	6"	L1027011	3.84	Chain	SS
800	8"	-	-	Chain	SS
1000	10"	-	-	Chain	SS
1200	12"	-	-	Chain	SS
050	1/2"	L1047001	0.02	Chain	AL
075	3/4"	L1047002	0.03	Chain	AL
100	1"	L1047003	0.05	Chain	AL
125	1 1/4"	L1047004	0.07	Chain	AL
150	1 1/2"	L1047005	0.12	Chain	AL
200	2"	L1047006	0.16	Chain	AL
250	2 1/2"	L1047007	0.22	Chain	AL
300	3"	L1047008	0.28	Chain	AL
400	4"	L1047009	0.51	Chain	AL
500	5"	L1047010	0.55	Chain	AL
600	6"	L1047011	0.74	Chain	AL
800	8"	L1047012	4.21	Chain	AL
1000	10"	-	-	Chain	AL
1200	12"	-	-	Chain	AL
050	1/2"	L1067001	0.07	Chain	BR
075	3/4"	L1067002	0.09	Chain	BR
100	1"	L1067003	0.13	Chain	BR
125	1 1/4"	L1067004	0.21	Chain	BR
150	1 1/2"	L1067005	0.24	Chain	BR
200	2"	L1067006	0.41	Chain	BR
250	2 1/2"	L1067007	0.59	Chain	BR
300	3"	L1067008	0.72	Chain	BR
400	4"	L1067009	1.03	Chain	BR
500	5"	L1067010	1.61	Chain	BR
600	6"	L1067011	1.81	Chain	BR
800	8"	-	-	Chain	BR
1000	10"	-	-	Chain	BR
1200	12"	-	-	Chain	BR
050	1/2"	L1077001	0.01	Chain	PP
075	3/4"	L1077002	0.01	Chain	PP
100	1"	L1077003	0.02	Chain	PP
125	1 1/4"	L1077004	0.04	Chain	PP
150	1 1/2"	L1077005	0.05	Chain	PP
200	2"	L1077006	0.08	Chain	PP
250	2 1/2"	L1077007	0.17	Chain	PP
300	3"	L1077008	0.22	Chain	PP
400	4"	L1077009	0.26	Chain	PP



HOT



\* we can add a chain on request.

## Camlock DC with special handle

Name	Size	Code	Weight(kg)	Gasket	Material
DN 32	1 1/4"	L1048031	0.24	NBR	AL
DN 40	1 1/2"	L1048032	0.27	NBR	AL
DN 50	2"	L1048033	0.33	NBR	AL
DN 65	2 1/2"	L1048034	0.41	NBR	AL
DN 80	3"	L1048035	0.65	NBR	AL



## Camlock adapter FW welding

Name	Weld Size	Code	Weight(kg)	Material
DN15	21.3*2.3	L1013054	0.07	SS
DN20	26.9*2.3	L1013055	0.11	SS
DN25	33.7*2.6	L1013056	0.15	SS
DN32	42.2*2.6	L1013057	0.24	SS
DN40	48.3*2.6	L1013058	0.32	SS
DN50	60.3*2.9	L1013059	0.42	SS
DN65	76.1*2.9	L1013060	0.71	SS
DN80	88.9*3.2	L1013061	0.73	SS
DN100	114.3*3.6	L1013062	1.42	SS
DN125	139.7*3.6	L1013063	-	SS
DN150	168.3*4.5	L1013064	-	SS



## Camlock coupling BW welding

Name	Weld Size	Code	Weight(kg)	Gasket	Material
DN15	21.3*2.3	L1022366	0.12	NBR	SS
DN20	26.9*2.3	L1022360	0.20	NBR	SS
DN25	33.7*2.6	L1022357	0.29	NBR	SS
DN32	42.2*2.6	L1022365	0.47	NBR	SS
DN40	48.3*2.6	L1022355	0.54	NBR	SS
DN50	60.3*2.9	L1022367	0.67	NBR	SS
DN65	76.1*2.9	L1022368	1.14	NBR	SS
DN80	88.9*3.2	L1022369	1.35	NBR	SS
DN100	114.3*3.6	L1022361	1.97	NBR	SS
DN125	139.7*4	L1013052	2.98	NBR	SS
DN150	168.3*4.5	L1013053	4.11	NBR	SS



## Camlock-Reduction(DD)

Code	Size	Gasket	Material
L1012093	1 1/2" x 1 1/2" dual coupler D type	NBR	AL
L1012094	2" x 2" dual coupler D type	NBR	AL
L1012095	3" x 3" dual coupler D type	NBR	AL
L1012096	4" x 4" dual coupler D type	NBR	AL
L1012086	6" x 6" dual coupler D type	NBR	AL



## Camlock-Reduction(DA)

Code	Size	Gasket	Material
L1012055	1.1/2" coupler D type x 1" adapter A type	NBR	AL
L1012056	1.1/2" coupler D type x 2" adapter A type	NBR	AL
L1012057	2" coupler D type x 1.1/2" adapter A type	NBR	AL
L1012058	2" coupler D type x 3" adapter A type	NBR	AL
L1012059	2" coupler D type x 4" adapter A type	NBR	AL
L1012060	3" coupler D type x 1 1/2" adapter A type	NBR	AL
L1012061	3" coupler D type x 2" adapter A type	NBR	AL
L1012062	3" coupler D type x 2 1/2" adapter A type	NBR	AL
L1012063	3" coupler D type x 4" adapter A type	NBR	AL
L1012064	4" coupler D type x 2" adapter A type	NBR	AL
L1012065	4" coupler D type x 3" adapter A type	NBR	AL
L1012066	4" coupler D type x 6" adapter A type	NBR	AL
L1012067	6" coupler D type x 4" adapter A type	NBR	AL



## Camlock-Reduction(AA)

Code	Size	Material
L1012097	dual adapter A type 1" x 1"	AL
L1012039	dual adapter A type 1 1/4" x 1 1/4"	AL
L1012040	dual adapter A type 1 1/2" x 1 1/2"	AL
L1012041	dual adapter A type 1 1/2" x 2"	AL
L1012098	dual adapter A type 2" x 2"	AL
L1012042	dual adapter A type 2" x 2 1/2"	AL
L1012043	dual adapter A type 2" x 3"	AL
L1012026	dual adapter A type 3" x 3"	AL
L1012044	dual adapter A type 3" x 4"	AL
L1012045	dual adapter A type 4" x 4"	AL
L1012046	dual adapter A type 4" x 6"	AL
L1012047	dual adapter A type 6" x 6"	AL



## Camlock Reduction(AR)

Code	Size	Gasket	Material
L1012099	2" adapter A type with 3" female thread ( ISO228 )	NBR	AL
L1012100	3" adapter A type with 2" female thread ( ISO228 )	NBR	AL
L1012101	3" adapter A type with 4" female thread ( ISO228 )	NBR	AL
L1012102	4" adapter A type with 3" female thread ( ISO228 )	NBR	AL
L1012103	4" adapter A type with 6" female thread ( ISO228 )	NBR	AL
L1012104	6" adapter A type with 4" female thread ( ISO228 )	NBR	AL



## Camlock Reduction(BR)

Code	Size	Gasket	Material
L1012106	1.1/2" coupler B type with 1" male thread ( R2999 )	NBR	AL
L1012107	2" coupler B type with 1 1/2" male thread ( R2999 )	NBR	AL
L1012108	3" coupler B type with 2" male thread ( R2999 )	NBR	AL
L1012109	3" coupler B type with 4" male thread ( R2999 )	NBR	AL
L1012110	4" coupler B type with 3" male thread ( R2999 )	NBR	AL



## Camlock Reduction(CR)

Code	Size	Gasket	Material
L1012111	3" coupler C type with 2" hose tail	NBR	AL
L1012112	3" coupler C type with 4" hose tail	NBR	AL
L1012113	4" coupler C type with 3" hose tail	NBR	AL



## Camlock Reduction(ER)

Code	Size	Material
L1012018	3" adapter E type with 2" hose tail	AL
L1012019	4" adapter E type with 2" hose tail	AL
L1012020	4" adapter E type with 3" hose tail	AL



## Camlock Reduction(FR)

Code	Size	Material
L1012105	3" adapter F type with 1.1/2" male thread ( R2999 )	AL
L1012021	3" adapter F type with 2" male thread ( R2999 )	AL
L1012022	3" adapter F type with 2" male thread ( R2999 )	AL
L1012023	3" adapter F type with 4" male thread ( R2999 )	AL
L1012024	4" adapter F type with 3" male thread ( R2999 )	AL



## Camlock-CVR

Code	Size	Gasket	Material
L1012016	4" coupler with 3" hose tail	NBR	AL
L1012017	4" coupler with 4" hose tail	NBR	AL



## Camlock-DVR

Code	Size	Gasket	Material
L1012015	4" coupler with 3" female thread (ISO228)	NBR	AL



## Camlock - API

Code	Size	Gasket	Material
L1012001	6" coupler with 3" male thread (R2999)	NBR	AL



## Camlock - API (without sight glass)

Code	Size	Gasket	Material
L1012002	6" coupler with 3" adapter	NBR	AL



## Camlock - API (with thread)

Code	Size	Gasket	Material
L1012003	6" coupler with 3" adapter (R2999)	NBR	AL



## Camlock Flange(AFL)

Name	Size	Code	Weight(kg)	Material
DN25	1"	L1033005	1.35	SS
DN50	2"	L1033006	3.29	SS
DN80	3"	L1033007	4.80	SS
DN100	4"	L1033008	7.21	SS
DN125	5"	L1033009	9.82	SS
DN150	6"	L1033010	13.86	SS
DN80	3"	L1033001	2.24	AL
DN100	4"	L1033002	3.67	AL
DN125	5"	L1033003	5.24	AL
DN150	6"	L1033004	7.67	AL

\* Flange PN-ASA according your needs.



## Camlock Flange(BFL)

Name	Inch	Code	Weight(kg)	Gasket	Material
DN25	1/2"	L1033011	1.09	NBR	SS
DN50	3/4"	L1033012	2.87	NBR	SS
DN80	1"	L1033013	5.16	NBR	SS
DN100	1 1/4"	L1033014	7.44	NBR	SS
DN125	1 1/2"	L1033015	9.86	NBR	SS
DN150	2"	L1033016	11.77	NBR	SS

\* Flange PN-ASA according your needs.



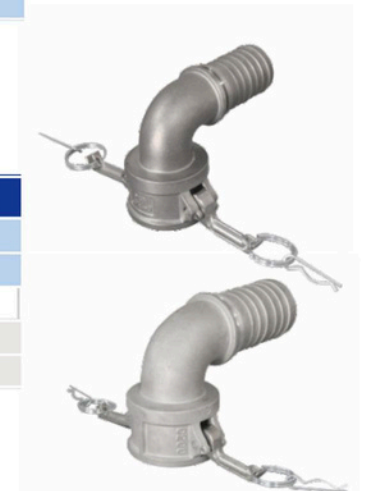
## Type C- swivel 360° smooth hose tail

Name	Size	Code	Weight(kg)	Gasket	Material
DN50	2"	L1023122	0.71	NBR	SS
DN65	2 1/2"	L1023123	1.01	NBR	SS
DN80	3"	L1023124	1.31	NBR	SS
DN100	4"	L1023125	2.14	NBR	SS



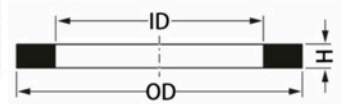
## Type C 90° hose shank

Name	Size	Code	Weight(kg)	Gasket	Material
DN150	1 1/2"	L1036001	1.71	NBR	SS
DN200	2"	L1036002	2.01	NBR	SS
DN150	1 1/2"	L1036003	1.24	NBR	AL
DN200	2"	L1036004	1.67	NBR	AL



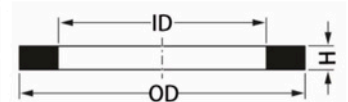
## Gasket-NBR

Name	Size	Code	OD	ID	H	Colour	Material
DN15	1/2"	L1090017	26.5	17.5	4.0	Black	NBR
DN20	3/4"	L1090076	35	22	5.5	Black	NBR
DN25	1"	L1090077	40	27	6.4	Black	NBR
DN32	1 1/4"	L1090078	50	35	6.4	Black	NBR
DN40	1 1/2"	L1090079	56	41	6.4	Black	NBR
DN50	2"	L1090080	67	51	6.4	Black	NBR
DN65	2 1/2"	L1090081	80	60	6.4	Black	NBR
DN80	3"	L1090082	95	76	6.4	Black	NBR
DN100	4"	L1090083	124	102	6.4	Black	NBR
DN125	5"	L1090084	150.5	124	6.4	Black	NBR
DN150	6"	L1090085	180	153	6.4	Black	NBR
DN200	8"	L1090086	232.5	203.5	7.9	Black	NBR



## Gasket-EPDM

Name	Size	Code	OD	ID	H	Colour	Material
DN15	1/2"	L1090099	26.5	17.5	4.0	Black ●	EPDM
DN20	3/4"	L1090100	35	22	5.5	Black ●	EPDM
DN25	1"	L1090101	40	27	6.4	Black ●	EPDM
DN32	1 1/4"	L1090102	50	35	6.4	Black ●	EPDM
DN40	1 1/2"	L1090103	56	41	6.4	Black ●	EPDM
DN50	2"	L1090104	67	51	6.4	Black ●	EPDM
DN65	2 1/2"	L1090105	80	60	6.4	Black ●	EPDM
DN80	3"	L1090106	95	76	6.4	Black ●	EPDM
DN100	4"	L1090107	124	102	6.4	Black ●	EPDM
DN125	5"	L1090108	150.5	124	6.4	Black ●	EPDM
DN150	6"	L1090109	180	153	6.4	Black ●	EPDM
DN200	8"	L1090110	232.5	203.5	7.9	Black ●	EPDM



## Gasket-FPM(Viton®)

Name	Size	Code	OD	ID	H	Colour	Material
DN15	1/2"	L1090135	26.5	17.5	4.0	Green	FPM
DN20	3/4"	L1090136	35	22	5.5	Green	FPM
DN25	1"	L1090137	40	27	6.4	Green	FPM
DN32	1 1/4"	L1090138	50	35	6.4	Green	FPM
DN40	1 1/2"	L1090139	56	41	6.4	Green	FPM
DN50	2"	L1090140	67	51	6.4	Green	FPM
DN65	2 1/2"	L1090141	80	60	6.4	Green	FPM
DN80	3"	L1090142	95	76	6.4	Green	FPM
DN100	4"	L1090143	124	102	6.4	Green	FPM
DN125	5"	L1090144	150.5	124	6.4	Green	FPM
DN150	6"	L1090145	180	153	6.4	Green	FPM
DN200	8"	L1090146	232.5	203.5	7.9	Green	FPM



## Gasket-CSM(Hypalon®)

Name	Size	Code	OD	ID	H	Colour	Material
DN15	1/2"	L1090147	26.5	17.5	4.0	Green ●	CSM
DN20	3/4"	L1090148	35	22	5.5	Green ●	CSM
DN25	1"	L1090149	40	27	6.4	Green ●	CSM
DN32	1 1/4"	L1090150	50	35	6.4	Green ●	CSM
DN40	1 1/2"	L1090151	56	41	6.4	Green ●	CSM
DN50	2"	L1090152	67	51	6.4	Green ●	CSM
DN65	2 1/2"	L1090153	80	60	6.4	Green ●	CSM
DN80	3"	L1090154	95	76	6.4	Green ●	CSM
DN100	4"	L1090155	124	102	6.4	Green ●	CSM
DN125	5"	L1090156	150.5	124	6.4	Green ●	CSM
DN150	6"	L1090157	180	153	6.4	Green ●	CSM
DN200	8"	L1090158	232.5	203.5	7.9	Green ●	CSM



## Gasket PTFE-NBR

Name	Size	Code	OD	ID	H	Colour	Material
DN15	1/2"	L1090037	26.5	17.5	4.0	White-Black	PTFE-NBR
DN20	3/4"	L1090219	35	22	5.5	White-Black	PTFE-NBR
DN25	1"	L1090220	40	27	6.4	White-Black	PTFE-NBR
DN32	1 1/4"	L1090221	50	35	6.4	White-Black	PTFE-NBR
DN40	1 1/2"	L1090222	56	41	6.4	White-Black	PTFE-NBR
DN50	2"	L1090223	67	51	6.4	White-Black	PTFE-NBR
DN65	2 1/2"	L1090224	80	60	6.4	White-Black	PTFE-NBR
DN80	3"	L1090225	95	76	6.4	White-Black	PTFE-NBR
DN100	4"	L1090226	124	102	6.4	White-Black	PTFE-NBR
DN125	5"	L1090227	150.5	124	6.4	White-Black	PTFE-NBR
DN150	6"	L1090228	180	153	6.4	White-Black	PTFE-NBR
DN200	8"	L1090229	232.5	203.5	7.9	White-Black	PTFE-NBR



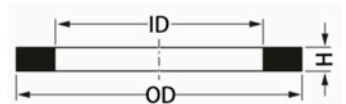
## Gasket PTFE-EPDM

Name	Size	Code	OD	ID	H	Colour	Material
DN15	1/2"	L1090195	26.5	17.5	4.0	White-Black●	PTFE-EPDM
DN20	3/4"	L1090196	35	22	5.5	White-Black●	PTFE-EPDM
DN25	1"	L1090197	40	27	6.4	White-Black●	PTFE-EPDM
DN32	1 1/4"	L1090198	50	35	6.4	White-Black●	PTFE-EPDM
DN40	1 1/2"	L1090199	56	41	6.4	White-Black●	PTFE-EPDM
DN50	2"	L1090200	67	51	6.4	White-Black●	PTFE-EPDM
DN65	2 1/2"	L1090201	80	60	6.4	White-Black●	PTFE-EPDM
DN80	3"	L1090202	95	76	6.4	White-Black●	PTFE-EPDM
DN100	4"	L1090203	124	102	6.4	White-Black●	PTFE-EPDM
DN125	5"	L1090204	150.5	124	6.4	White-Black●	PTFE-EPDM
DN150	6"	L1090205	180	153	6.4	White-Black●	PTFE-EPDM
DN200	8"	L1090206	232.5	203.5	7.9	White-Black●	PTFE-EPDM



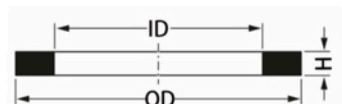
## Gasket PTFE-FPM

Name	Size	Code	OD	ID	H	Colour	Material
DN15	1/2"	L1090207	26.5	17.5	4.0	White-Black	PTFE-FPM
DN20	3/4"	L1090208	35	22	5.5	White-Black	PTFE-FPM
DN25	1"	L1090209	40	27	6.4	White-Black	PTFE-FPM
DN32	1 1/4"	L1090210	50	35	6.4	White-Black	PTFE-FPM
DN40	1 1/2"	L1090211	56	41	6.4	White-Black	PTFE-FPM
DN50	2"	L1090212	67	51	6.4	White-Black	PTFE-FPM
DN65	2 1/2"	L1090213	80	60	6.4	White-Black	PTFE-FPM
DN80	3"	L1090214	95	76	6.4	White-Black	PTFE-FPM
DN100	4"	L1090215	124	102	6.4	White-Black	PTFE-FPM
DN125	5"	L1090216	150.5	124	6.4	White-Black	PTFE-FPM
DN150	6"	L1090217	180	153	6.4	White-Black	PTFE-FPM
DN200	8"	L1090218	232.5	203.5	7.9	White-Black	PTFE-FPM



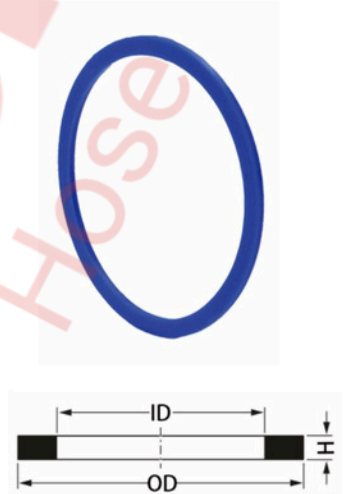
## Thread Gasket-PTFE

Name	Size	Code	OD	ID	H	Colour	Material
DN15	1/2"	L1090171	26	19	1.5	White	PTFE
DN20	3/4"	L1090172	33	24	2	White	PTFE
DN25	1"	L1090173	42	33	2	White	PTFE
DN32	1 1/4"	L1090174	48	39	2	White	PTFE
DN40	1 1/2"	L1090175	60	49	2	White	PTFE
DN50	2"	L1090176	76	63	2	White	PTFE
DN65	2 1/2"	L1090177	88	77	2.5	White	PTFE
DN80	3"	L1090178	114	100	3	White	PTFE
DN100	4"	L1090179	124	102	3	White	PTFE
DN125	5"	L1090180	150.5	124	3	White	PTFE
DN150	6"	L1090181	180	153	3	White	PTFE
DN200	8"	L1090182	232.5	203.5	4	White	PTFE



## Thread Gasket-PU

Name	Size	Code	OD	ID	H	Colour	Material
DN15	1/2"	L9001873	26	19	1.5	BLUE	PU
DN20	3/4"	L9001874	33	24	2	BLUE	PU
DN25	1"	L9001875	42	33	2	BLUE	PU
DN32	1 1/4"	L9001876	48	39	2	BLUE	PU
DN40	1 1/2"	L9001877	60	49	2	BLUE	PU
DN50	2"	L9001878	76	63	2	BLUE	PU
DN65	2 1/2"	L9001879	88	77	2.5	BLUE	PU
DN80	3"	L9001880	114	100	3	BLUE	PU
DN100	4"	L9001881	124	102	3	BLUE	PU
DN125	5"	L9001882	150.5	124	3	BLUE	PU
DN150	6"	L9001883	180	153	3	BLUE	PU
DN200	8"	L9001884	232.5	203.5	4	BLUE	PU



## Thread Gasket-NBR

Name	Size	Code	OD	ID	H	Colour	Material
DN15	1/2"	L9001825	26	19	1.5	Black	NBR
DN20	3/4"	L9001826	33	24	2	Black	NBR
DN25	1"	L9001827	42	33	2	Black	NBR
DN32	1 1/4"	L9001828	48	39	2	Black	NBR
DN40	1 1/2"	L9001829	60	49	2	Black	NBR
DN50	2"	L9001830	76	63	2	Black	NBR
DN65	2 1/2"	L9001831	88	77	2.5	Black	NBR
DN80	3"	L9001832	114	100	3	Black	NBR
DN100	4"	L9001833	124	102	3	Black	NBR
DN125	5"	L9001834	150.5	124	3	Black	NBR
DN150	6"	L9001835	180	153	3	Black	NBR
DN200	8"	L9001836	232.5	203.5	4	Black	NBR



## HANDLE SET :Handle+ring+pin+clip

Name	Size	Code	Material
DN15-20	1/2"-3/4"	L1009078	SS
DN25	1"	L1009079	SS
DN32-65	1 1/4"-2 1/2"	L1009080	SS
DN80-125	3"-5"	L1009081	SS
DN150	6"	L1009096	SS



## PULL RING

Name	Size	Code	Material
DN15-25	1/2"-1"	L1090289	SS
DN32-65	1 1/4"-2 1/2"	L1090290	SS
DN80-125	3"-6"	L1090291	SS

## PIN

Name	Size	Code	Material
DN15-20	1/2"-3/4"	L1090233	SS
DN25	1"	L1090234	SS
DN32-65	1 1/4"-2 1/2"	L1090237	SS
DN80-100	3"-4"	L1090238	SS



## SAFETY CLIP

Name	Code	Material
SAFETY CLIP	L1090046	SS



## CHAIN WITH S-HOOK

Name	Size	Code	Material
CHAIN WITH S-HOOK	200mm	L0110001	SS
CHAIN WITH S-HOOK	300mm	L0110002	SS

